

# S-Drain PVC

## Injection moulded PVC roof drain

---

<b>Product Description</b>	The S-Drain PVC is made of rigid high quality PVC by injection moulding procedure.
----------------------------	--

---

<b>Uses</b>	The S-Drain PVC is used as rainwater outlet in flat roofs.
-------------	--

---

<b>Characteristics / Advantages</b>	<ul style="list-style-type: none"><li>■ Outstanding resistance to weathering, including UV irradiation</li><li>■ Outstanding stress-cracking resistance</li><li>■ Membrane can be welded directly to the base plate</li><li>■ Ease of application</li><li>■ Excellent weldability</li><li>■ Recyclable</li></ul>
-------------------------------------	--

---

### Tests

<b>Approvals / Standards</b>	<ul style="list-style-type: none"><li>■ Complies with BS EN 12056-3:2000</li><li>■ Quality management system EN ISO 9001/14001</li></ul>
------------------------------	--

---

### Product Data

#### Form

<b>Appearance</b>	Surface: smooth
-------------------	-----------------

---

<b>Colour</b>	Light Grey (nearest RAL 7047)
---------------	-------------------------------

---

<b>Packaging</b>	Depending on the order quantity and product size, the products are packaged on pallets or in cartons.
------------------	---

---

#### Storage

<b>Storage Conditions</b>	The S-Drain PVC shall be stored in dry conditions.
---------------------------	--

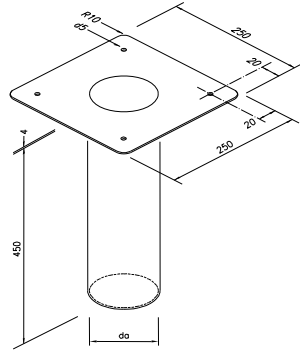
---

<b>Shelf-Life</b>	The S-Drain PVC does not expire during correct storage.
-------------------	---

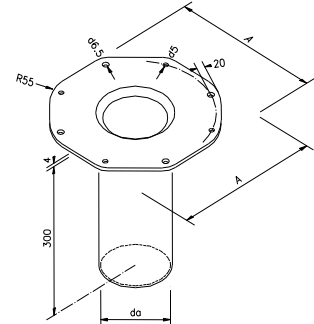
---



with S-Leafguard Art.111185



Ø 40 mm and 50 mm



Ø 56 mm - 160 mm

Art. No.	Spigot		Base plate	Flow rates
	Outside Diameter	Length		Depth of water
				BS EN 12056*
111026	40 mm	450 mm	250 x 250 mm; square	0.93 l/s
111027	50 mm	450 mm	250 x 250 mm; square	1.44 l/s
111028	56 mm	300 mm	300 x 300 mm; octagonal	1.97 l/s
111029	63 mm	300 mm	300 x 300 mm; octagonal	1.69 l/s <sup>1)</sup> 2.83 l/s <sup>2)</sup>
111030	75 mm	300 mm	300 x 300 mm; octagonal	4.29 l/s
111031	90 mm	300 mm	330 x 330 mm; octagonal	5.24 l/s
111032	95 mm	300 mm	330 x 330 mm; octagonal	5.15 l/s
111033	110 mm	300 mm	330 x 330 mm; octagonal	5.42 l/s
111034	125 mm	300 mm	380 x 380 mm; octagonal	5.51 l/s
111035	140 mm	300 mm	380 x 380 mm; octagonal	5.74 l/s
111036	160 mm	300 mm	380 x 380 mm; octagonal	5.89 l/s

\* BS EN 12056: Measured with S-Leafguard (Art. No. 111185)  
Depth of water: 35mm head of water

1) 50mm downpipe

2) 63mm downpipe

## Technical Data

**Material Basis** Polyvinyl chloride (PVC)

**Thickness** 4.0 mm

---

## System Information

---

### System Structure

The following accessory is strongly recommended:  
- S-Leafguard (Art. no. 111185)  
Compatible products: - Sikaplan®

---

### Application Conditions / Limits

---

#### Temperature

The use of the S-Drain PVC is limited to geographical locations with average monthly minimum temperatures of -50 °C. Permanent ambient temperature during use is limited to +50 °C.

---

### Installation Instructions

---

#### Installation Method

According to the valid installation instructions for Sikaplan® roof waterproofing membranes.  
The S-Drain PVC needs to be fastened securely to the roof deck.  
In case of mechanically fastened roofs the fasteners must be designed to resist to the wind load on the project.

---

#### Notes on Installation / Limits

Installation works to be carried out only by Sika® Roofing Contractors.  
Temperature limits for the installation of the S-Drain PVC:  
Substrate temperature: -30 °C min. / +60 °C max.  
Ambient temperature: -20 °C min. / +60 °C max.  
Installation of some ancillary products, e.g. contact adhesives / cleaners is limited to temperatures above +5 °C. Please observe information given by Product Data Sheets.  
Special measures may be compulsory for installation below +5 °C ambient temperature due to safety requirements in accordance with national regulations.

---

# Roofing



<b>Value Base</b>	All technical data stated in this Product Data Sheet are based on laboratory tests. Actual measured data may vary due to circumstances beyond our control.
<b>Local Restrictions</b>	Please note that as a result of specific local regulations the performance of this product may vary from country to country. Please consult the local Product Data Sheet for the exact description of the application fields.
<b>Ecology, Health and Safety Information</b>	The product does not fall within the EC-regulation of hazardous goods. As a result, a material safety data sheet following EC-Guideline 91/155 EWG is not needed to bring the product to the market, transport or use it. The product does not damage the environment when used as specified.
<b>Protective Measures</b>	Fresh air ventilation must be ensured, when working (welding) in closed rooms. Regulatory Safety requirements must be observed.
<b>Transportation Class</b>	The product is not classified as hazardous good for transport.
<b>Disposal</b>	The material is recyclable. Any disposal must be in accordance with regulatory guidelines.

All data in our product information are based on our current knowledge and experience. They do not release users from careful testing of the application and strict observation of the relevant processing regulations because of the wide range of possible influences during the application and use of our products. Legally valid assurances of specific characteristics or suitability for special purposes of application other than those provided in our documentation for the specific product cannot be inferred from our information. Any protective rights or existing laws and provisions must be followed by the recipient or processor of our products at their own responsibility. Moreover our general terms and conditions of sale and guarantee are valid.

**Sika Ltd**, Watchmead, Welwyn Garden City, Hertfordshire, AL7 1BQ  
Registered in England: 226822

