

S-Scupper PVC

Injection moulded PVC roof drain

Product Description

The S-Scupper PVC is made of rigid high quality PVC by injection moulding procedure.

Uses

The S-Scupper PVC is used as rainwater outlet through the parapet in flat roofs.

Characteristics / Advantages

- Outstanding resistance to weathering, including UV irradiation
- Outstanding stress-cracking resistance
- Membrane can be welded directly to the base plate
- Ease of application
- Excellent weldability
- Recyclable

Tests

Approvals / Standards

- Quality management system EN ISO 9001/14001

Product Data

Form

Appearance

Surface: smooth

Colour

Light Grey (nearest RAL 7047)

Packaging

Depending on the order quantity and product size, the products are packaged on pallets or in cartons.

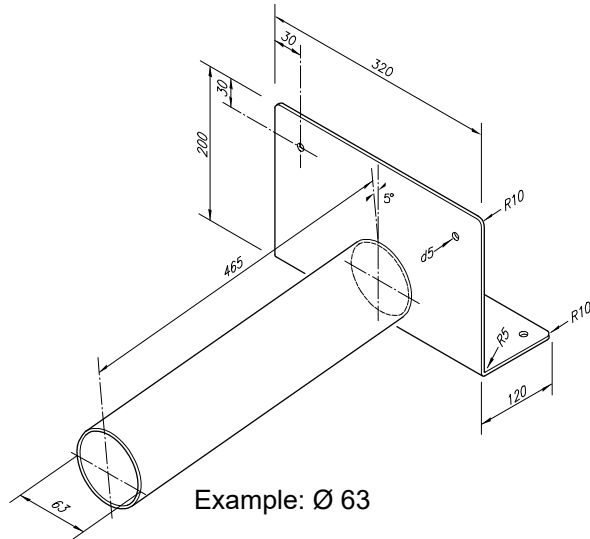
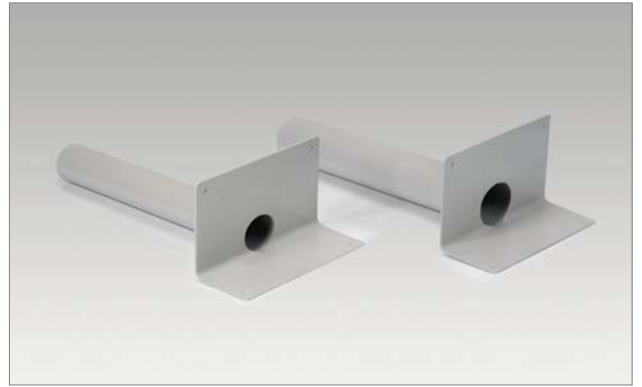
Storage

Storage Conditions

The S-Scupper PVC shall be stored in dry conditions.

Shelf-Life

The S-Scupper PVC does not expire during correct storage.



Art. No.	Spigot			Base plate 90° angled	Flow rates
	ø outside	length L	inclination angle α		
111965	40 mm	450 mm	5°	250 mm x 145/105 mm	0.17 l/s
111966	50 mm	450 mm	5°	250 mm x 150/100 mm	0.22 l/s
111967	63 mm	450 mm	5°	320 mm x 200/120 mm	0.28 l/s
111968	75 mm	450 mm	5°	320 mm x 200/120 mm	0.33 l/s
111969	90 mm	450 mm	5°	320 mm x 200/120 mm	0.39 l/s

Technical Data

Material Basis Polyvinyl chloride (PVC)

Thickness 4.0 mm

System Information

System Structure Compatible products: -Sikaplan®

Application Conditions / Limits

Temperature The use of the S-Scupper PVC is limited to geographical locations with average monthly minimum temperatures of -50 °C.
Permanent ambient temperature during use is limited to +50 °C.

Installation Instructions

Installation Method According to the valid installation instructions for Sikaplan®
The S-Scupper PVC needs to be fastened securely to the roof parapet.

Notes on Installation / Limits Installation works must be carried out only by Sika® Roofing Contractors.

Temperature limits for the installation of the S-Scupper PVC:

Substrate temperature: -30 °C min. / +60 °C max.
Ambient temperature: -20 °C min. / +60 °C max.

Installation of some ancillary products, e.g. contact adhesives / cleaners is limited to temperatures above +5 °C. Please observe information given by Product Data Sheets.

Special measures may be compulsory for installation below +5 °C ambient temperature due to safety requirements in accordance with national regulations.

Value Base	All technical data stated in this Product Data Sheet are based on laboratory tests. Actual measured data may vary due to circumstances beyond our control.
Local Restrictions	Please note that as a result of specific local regulations the performance of this product may vary from country to country. Please consult the local Product Data Sheet for the exact description of the application fields.
Ecology, Health and Safety Information	The product does not fall within the EC-regulation of hazardous goods. As a result, a material safety data sheet following EC-Guideline 91/155 EWG is not needed to bring the product to the market, transport or use it. The product does not damage the environment when used as specified.
Protective Measures	Fresh air ventilation must be ensured, when working (welding) in closed rooms. Regulatory safety requirements must be observed.
Transportation Class	The product is not classified as hazardous good for transport.
Disposal	The material is recyclable. Any disposal must be in accordance with regulatory requirements.

All data in our product information are based on our current knowledge and experience. They do not release users from careful testing of the application and strict observation of the relevant processing regulations because of the wide range of possible influences during the application and use of our products. Legally valid assurances of specific characteristics or suitability for special purposes of application other than those provided in our documentation for the specific product cannot be inferred from our information. Any protective rights or existing laws and provisions must be followed by the recipient or processor of our products at their own responsibility. Moreover our general terms and conditions of sale and guarantee are valid.



Sika Ltd, Watchmead, Welwyn Garden City, Hertfordshire, AL7 1BQ
Registered in England: 226822

