

SPL Leafguard

Injection moulded Polyethylene Leafguard

Product Description	The SPL Leafguard is made of rigid high density Polyethylene (HDPE) by injection moulding procedure.
----------------------------	--

Uses	The SPL Leafguard is used as a gravel and leaf protection for SPL Drain PVC in flat roofs.
-------------	--

Characteristics / Advantages	<ul style="list-style-type: none">■ Outstanding resistance to weathering, including UV irradiation■ Outstanding stress-cracking resistance
-------------------------------------	---

Tests

Approvals / Standards	■ Quality management system EN ISO 9001/14001
------------------------------	---

Product Data

Form

Appearance	Surface: smooth
-------------------	-----------------

Colour	Black
---------------	-------

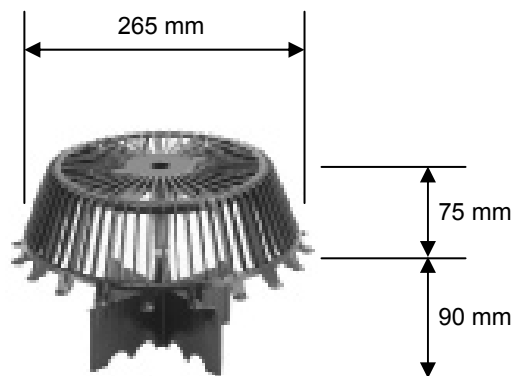
Packaging

Storage

Storage Conditions	The SPL Leafguard shall be stored in dry conditions.
---------------------------	--

Shelf-Life	The SPL Leafguard does not expire during correct storage.
-------------------	---





Technical Data

Material Basis High density Polyethylene (HDPE)

System Information

System Structure Compatible products: SPL Drain PVC 56-160

Application Conditions / Limits

Temperature The use of the SPL Leafguard is limited to geographical locations with average monthly minimum temperatures of -50 °C. Permanent ambient temperature during use is limited to +50 °C.

Installation Instructions

Installation Method According to the valid installation instructions for Sika-Trocal® roof waterproofing membranes.

Notes on Installation / Limits

Installation works to be carried out only by Sika instructed contractors for roofing.
 Temperature limits for the installation of the SPL Leafguard:
 Substrate temperature: -30 °C min. / +60 °C max.
 Ambient temperature: -20 °C min. / +60 °C max.
 Installation of some ancillary products, e.g. contact adhesives / cleaners is limited to temperatures above +5 °C. Please observe information given by Product Data Sheets.
 Special measures may be compulsory for installation below +5 °C ambient temperature due to safety requirements in accordance with national regulations.

Value Base	All technical data stated in this Product Data Sheet are based on laboratory tests. Actual measured data may vary due to circumstances beyond our control.
Local Restrictions	Please note that as a result of specific local regulations the performance of this product may vary from country to country. Please consult the local Product Data Sheet for the exact description of the application fields.
Ecology, Health and Safety Information	The product does not fall within the EC-regulation of hazardous goods. As a result, a material safety data sheet following EC-Guideline 91/155 EWG is not needed to bring the product to the market, transport or use it. The product does not damage the environment when used as specified.
Protective Measures	Fresh air ventilation must be ensured, when working (welding) in closed rooms. Local safety regulations must be observed.
Transportation Class	The product is not classified as hazardous good for transport.
Disposal	The material is recyclable. Disposal must be according to local regulations. Please contact your local Sika sales organisation for more information.

Legal note: The information, and, in particular, the recommendations relating to the application and end-use of Sika products, are given in good faith based on Sika's current knowledge and experience of the products when properly stored, handled and applied under normal conditions in accordance with Sika's recommendations. In practice, the differences in materials, substrates and actual site conditions are such that no warranty in respect of merchantability or of fitness for a particular purpose, nor any liability arising out of any legal relationship whatsoever, can be inferred either from this information, or from any written recommendations, or from any other advice offered. The user of the product must test the product's suitability for the intended application and purpose. Sika reserves the right to change the properties of its products. The proprietary rights of third parties must be observed. All orders are accepted subject to our current terms of sale and delivery. Users must always refer to the most recent issue of the local Product Data Sheet for the product concerned, copies of which will be supplied on request.



Sika Limited
 Watchmead
 Welwyn Garden City
 Hertfordshire
 AL7 1BQ
 United Kingdom
 Phone +44 1707 394444
 Telefax +44 1707 329129
www.sika.co.uk
 email: sales@uk.sika.com